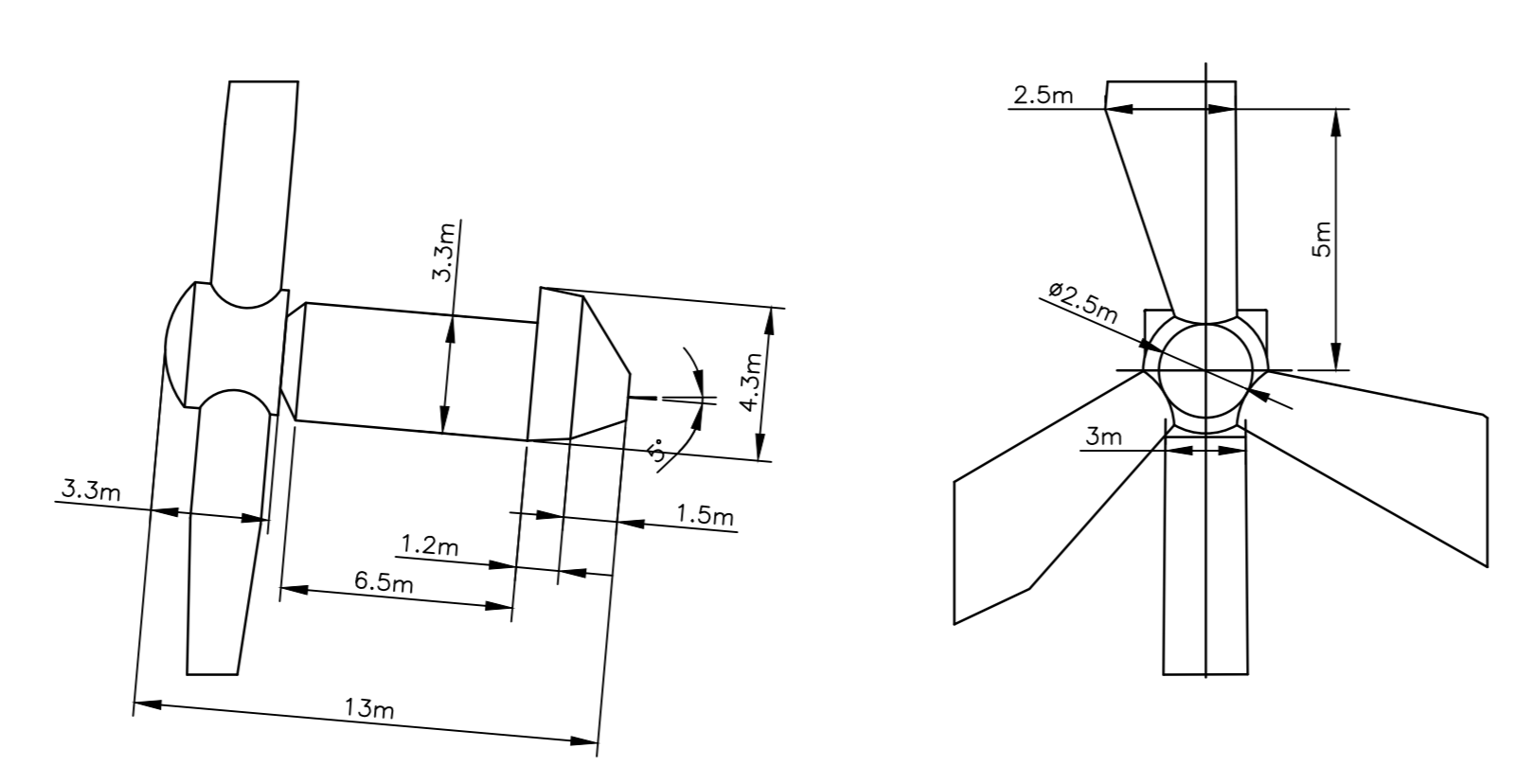
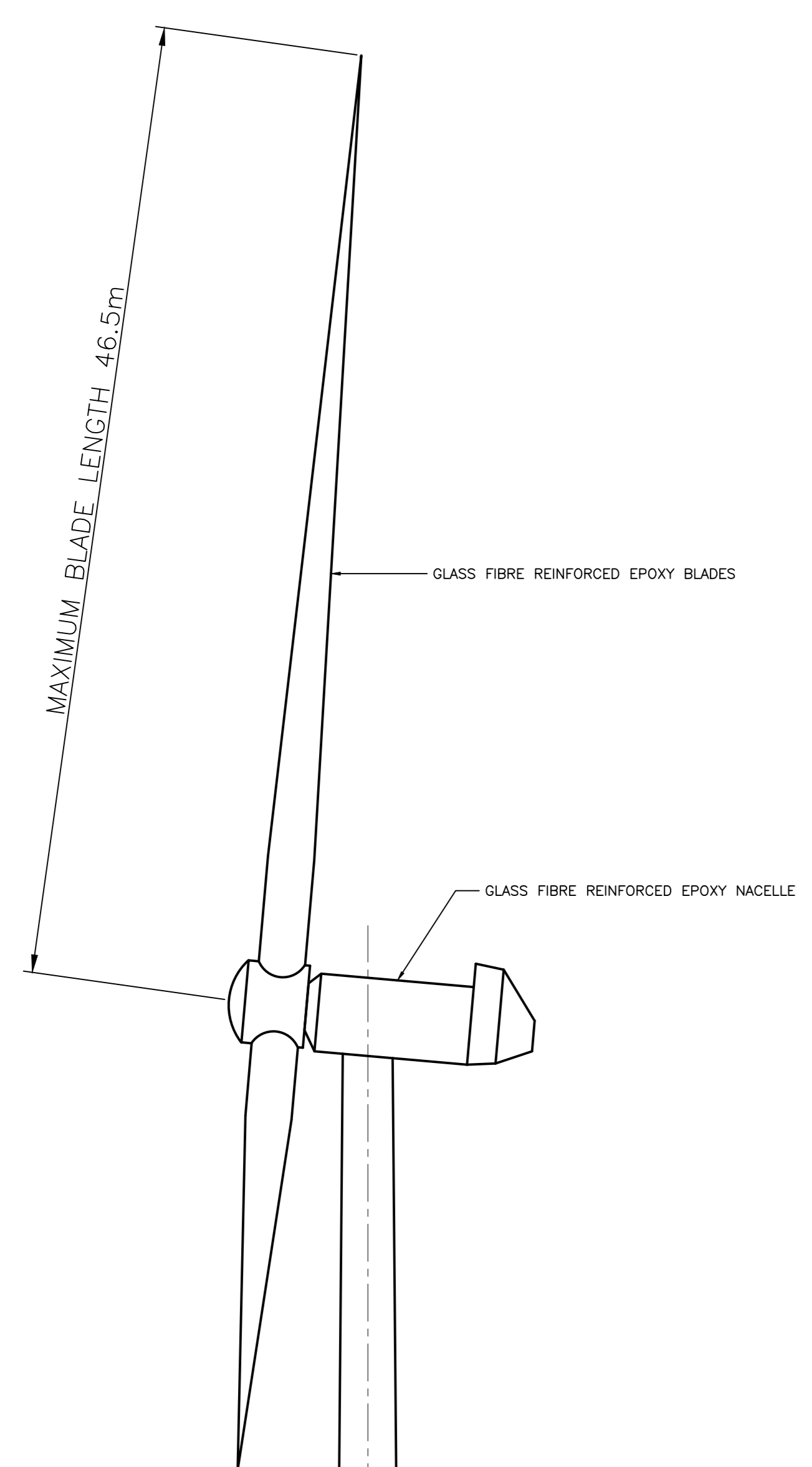
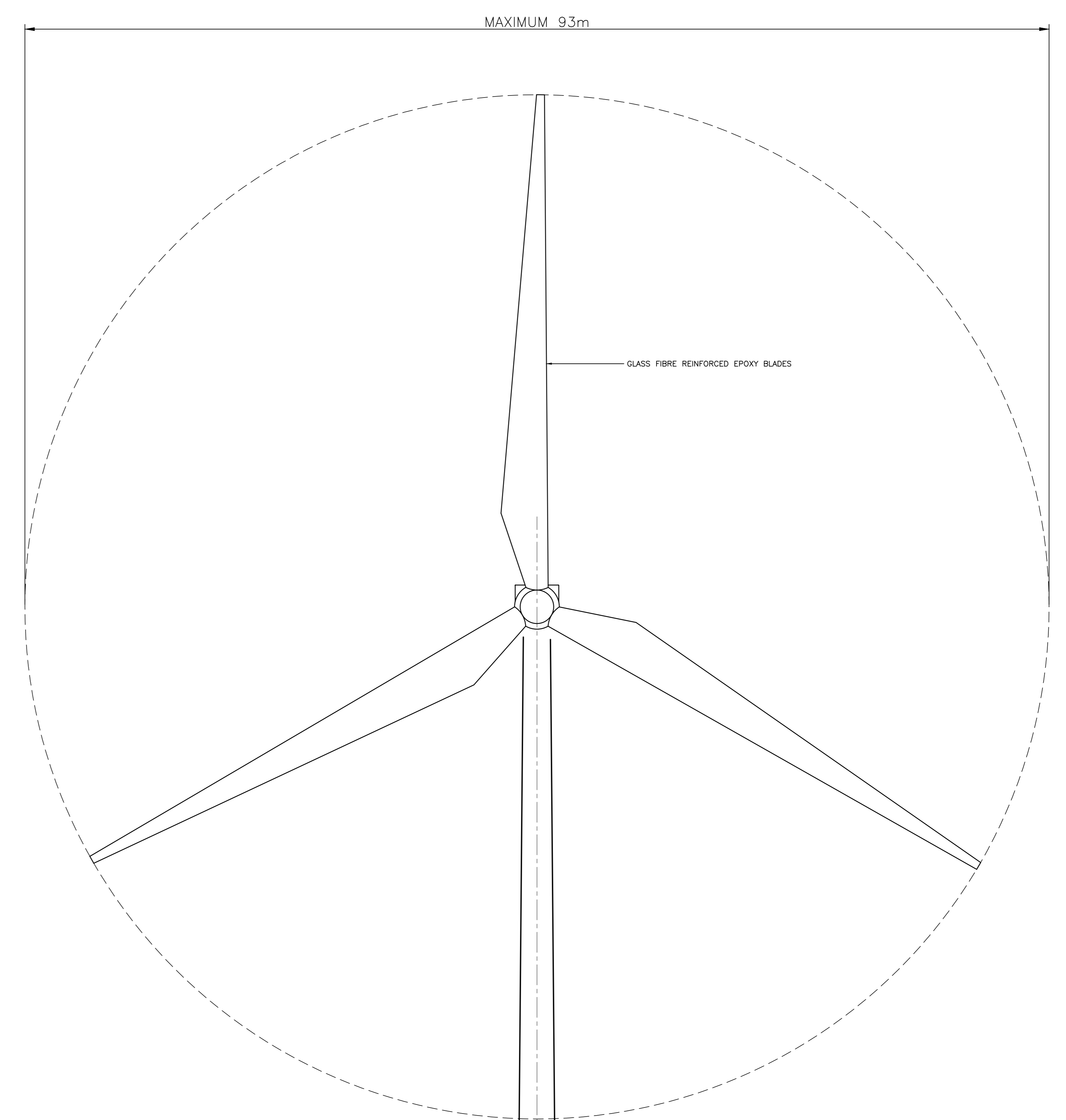


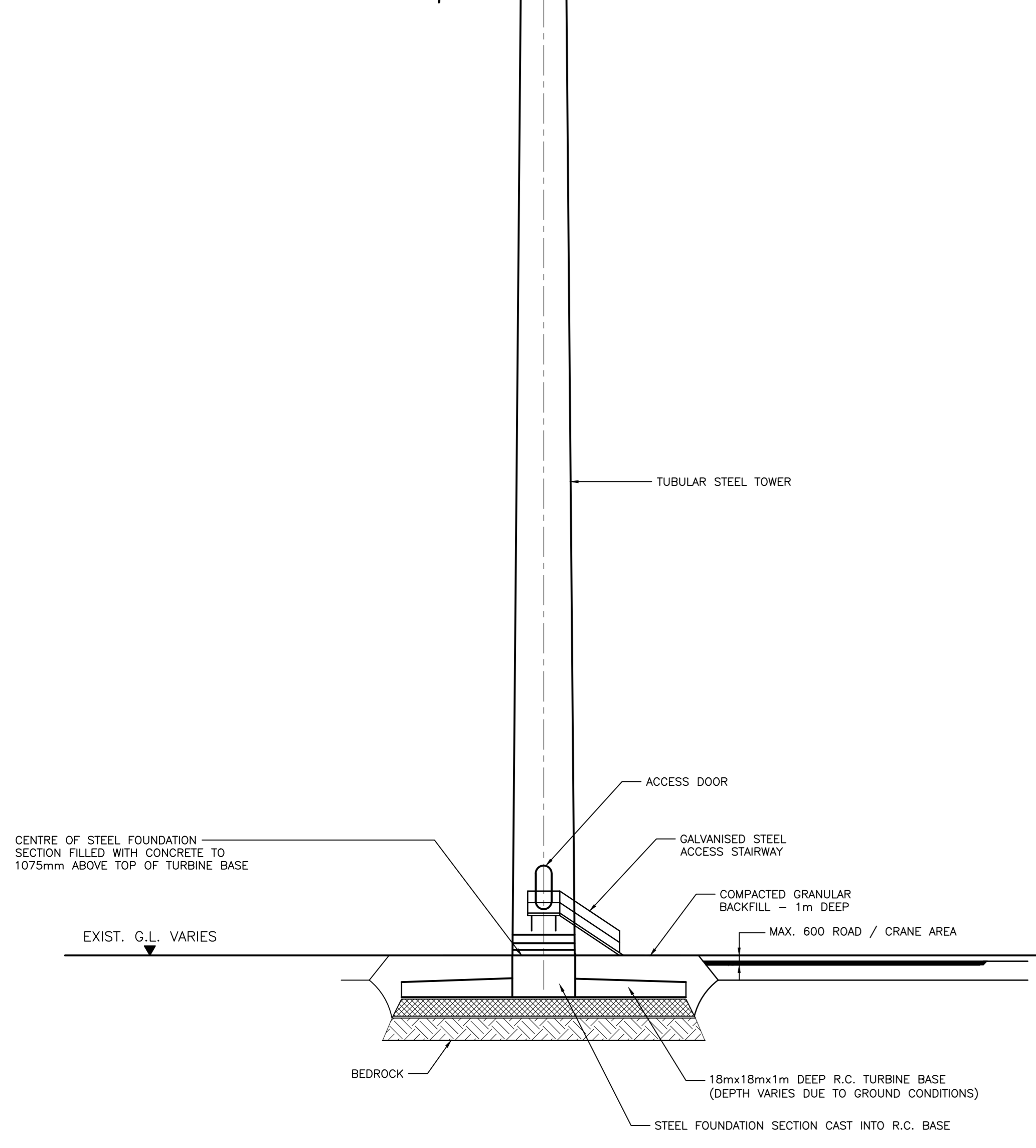
- NOTES:
1. MAXIMUM OVERALL TURBINE HEIGHT DIMENSION = 126m
  2. COLOUR OF TURBINE TO BE AGREED WITH LOCAL AUTHORITY.



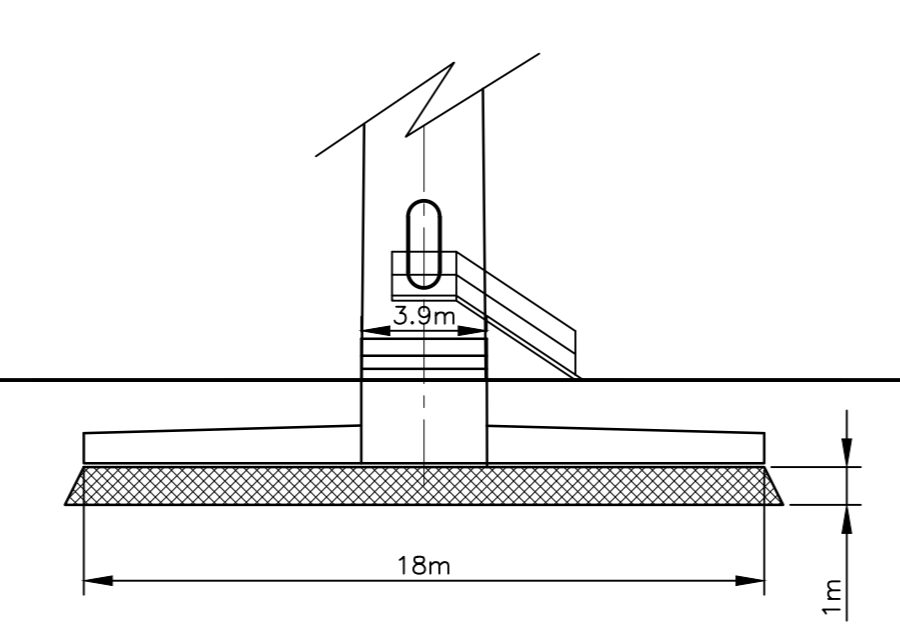
**TYPICAL NACELLE DIMENSIONS**  
SCALE 1:200



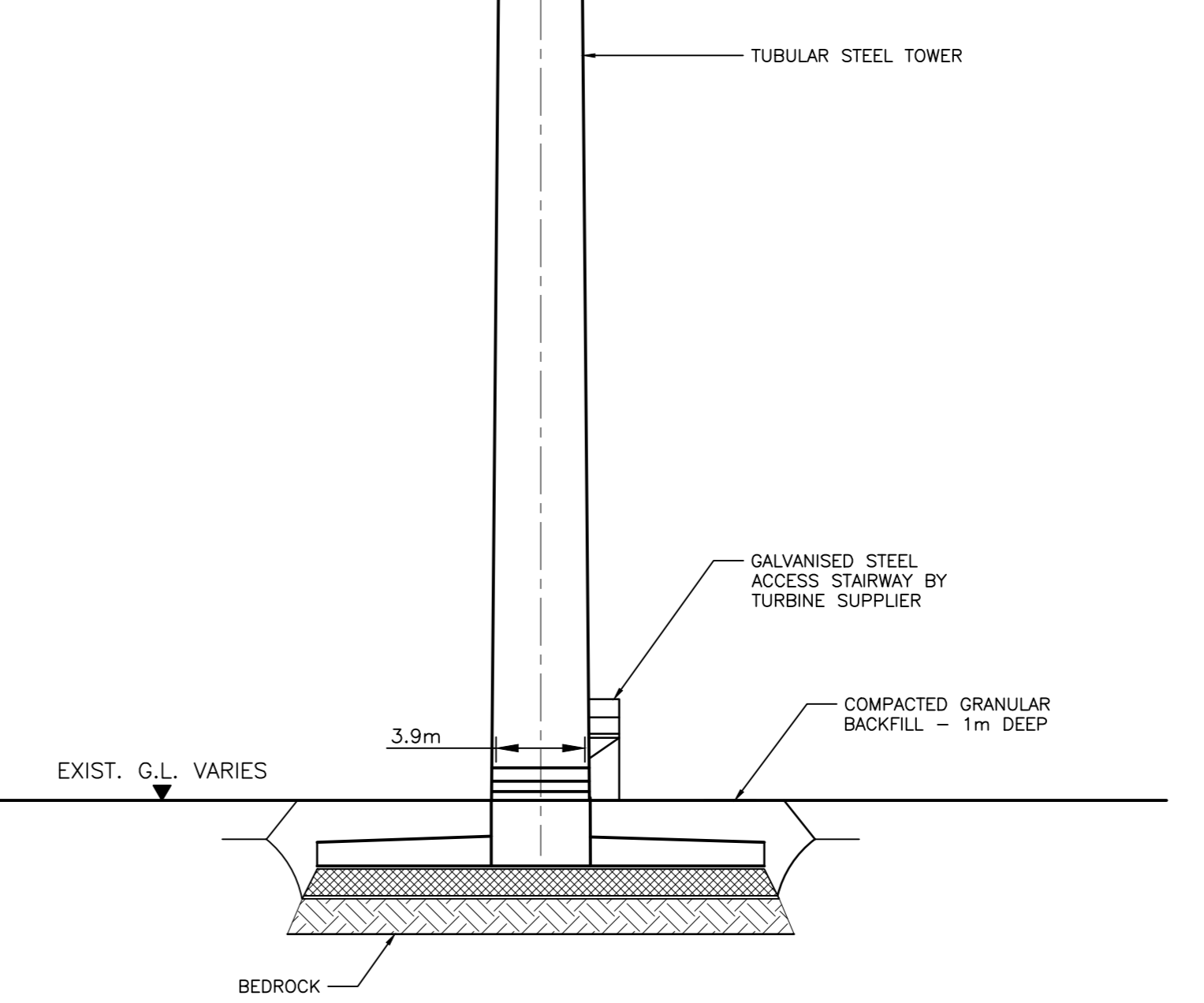
**FRONT SECTIONAL ELEVATION**  
SCALE 1:200



**SIDE SECTIONAL ELEVATION**  
SCALE 1:200



**FOUNDATION DIMENSIONS**  
SCALE 1:200



REV	DATE	REVISION DESCRIPTION	DRN	PRG	VER	APP
0	19.08.15	ISSUED FOR PLANNING	SB	DS	SS	FG

PURPOSE OF ISSUE - PRELIMINARY UNLESS INDICATED  
 TENDER  CLIENT APPROVAL  CONSTRUCTION  AS-BUILT  REVISION

Client: **ESB WIND DEVELOPMENT LTD.**

Project: **GROUSEMOUNT WIND FARM**

Contract: **PLANNING APPLICATION**

Drawing Title: **V90 TURBINE DETAILS (TURBINES G001-G006)**

Production Unit: **WIND DEVELOPMENT**

**ESB** Energy for generations  
 ESB Wind Development Ltd., Stephen Court, 16-21 St. Stephen's Green, Dublin 2, Ireland Tel: +353 (0)1 703800  
 Web: www.esb.ie  
 Registered Office: as above Registered in Ireland No. 471139

NAME	FUNCTION	ISSUED	APPROVED	DATE
S. Bolton	D. Shiels	S. Shanley	F. O'Grady	19.08.2015
CLIENT REP	NO. OF SHEETS	SHEET NO.	SCALE	
	1	AO	0	1:200

DRAWING NUMBER: **QR320171-MWC-P-4002**

COPYRIGHT © ESB  
 All rights reserved. No part of this work may be modified or reproduced or copied in any form or by any means, graphic, electronic or mechanical, including photocopying, recording, taping or information-retrieval systems, or used for any purpose other than its designated purpose, without the written permission of the ESB.